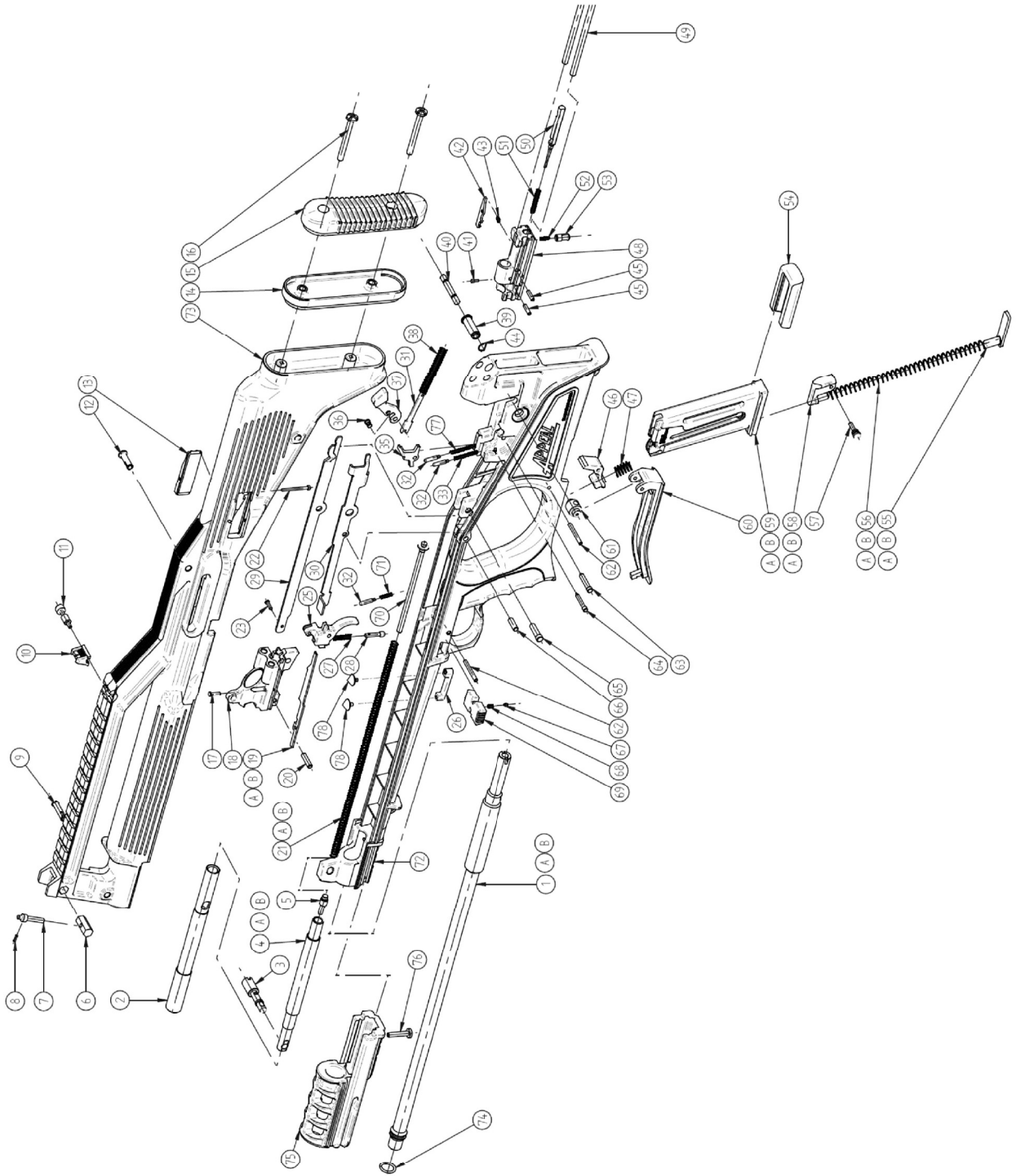


APPEAL EXPLODED VIEW



APPEAL PARTS LIST

BARREL .22LR	1-A	EXTRACTOR PIN	41
BARREL. 22 MAG.	1-B	EXTRACTOR	42
BOLT LEVER	2	EXTRACTOR SPRING	43
EXTENDED RECOIL SPRING SLEEVE .22WIN. MAG.	3	REAR ASSEMBLING STOCK PIN SPRING	44
RECOIL SPRING SLEEVE .22LR	4-A	FIRING PIN PIN	45
RECOIL SPRING SLEEVE .22 WIN. MAG.	4-B	MAGAZINE CATCH	46
BOLT LEVER PIN	5	MAGAZINE CATCH SPRING	47
FRONT SIGHT SUPPORT	6	BOLT	48
FRONT SIGHT	7	BOLT GUIDE	49
FRONT SIGHT PIN	8	FIRING PIN	50
FRONT ASSEMBLING STOCK PIN	9	FIRING PIN SPRING	51
REAR SIGHT	10	AUTOMATIC FIRING PIN SAFETY SPRING	52
REAR SIGHT SCREW	11	AUTOMATIC FIRING PIN SAFETY	53
CENTER ASSEMBLING STOCK PIN	12	MAGAZINE PAD	54
EJECTOR HOUSING COVER	13	FOLLOWER SPRING STOP .22LR	55-A
RECOIL PAD INSERT	14	FOLLOWER SPRING STOP .22WIN. MAG.	55-B
RECOIL PAD	15	MAGAZINE SPRING .22LR	56A
RECOIL PAD SCREW	16	MAGAZINE SPRING .22MAG.	56B
EJECTOR PIN	17	FOLLOWER BUTTON	57
BARREL SUPPORT	18	FOLLOWER .22LR	58-A
EJECTOR .22LR	19-A	FOLLOWER .22MAG.	58-B
EJECTOR .22WIN. MAG.	19-B	MAGAZINE .22LR	59-A
BARREL PIN	20	MAGAZINE .22MAG.	59-B
RECOIL SPRING .22LR	21-A	COVER	60
RECOIL SPRING .22WIN. MAG.	21-B	HAMMER SPRING BUSHING	61
EJECTOR HOUSING PIN	22	MAGAZINE CATCH PIN	62
TRIGGER BAR PIN	23	HAMMER PIN	63
TRIGGER	25	SEAR LEVER PIN	64
SERIAL NUMBER INSERT	26	BARREL SUPPORT PIN	65
TRIGGER SPRING	27	HOLD OPEN PIN	66
TRIGGER PLUNGER	28	SAFETY PLUNGER	67
TRIGGER BAR	29	SAFETY SPRING	68
HOLD OPEN	30	REVERSIBLE SAFETY	69
HAMMER STRUT	31	RECOIL SPRING GUIDE	70
TRIGGER BAR AND HOLD OPEN PLUNGER	32	HOLD OPEN SPRING	71
SEAR LEVER SPRING	33	LOWER STOCK	72
SEAR LEVER	35	UPPER STOCK	73
HAMMER STRUT PIN	36	BARREL O-RING	74
HAMMER	37	FLASH HIDER	75
HAMMER SPRING	38	FLASH HIDER SCREW	76
REAR ASSEMBLING STOCK PIN BUSHING	39	TRIGGER BAR SPRING	77
REAR ASSEMBLING STOCK PIN	40	RIVET	78