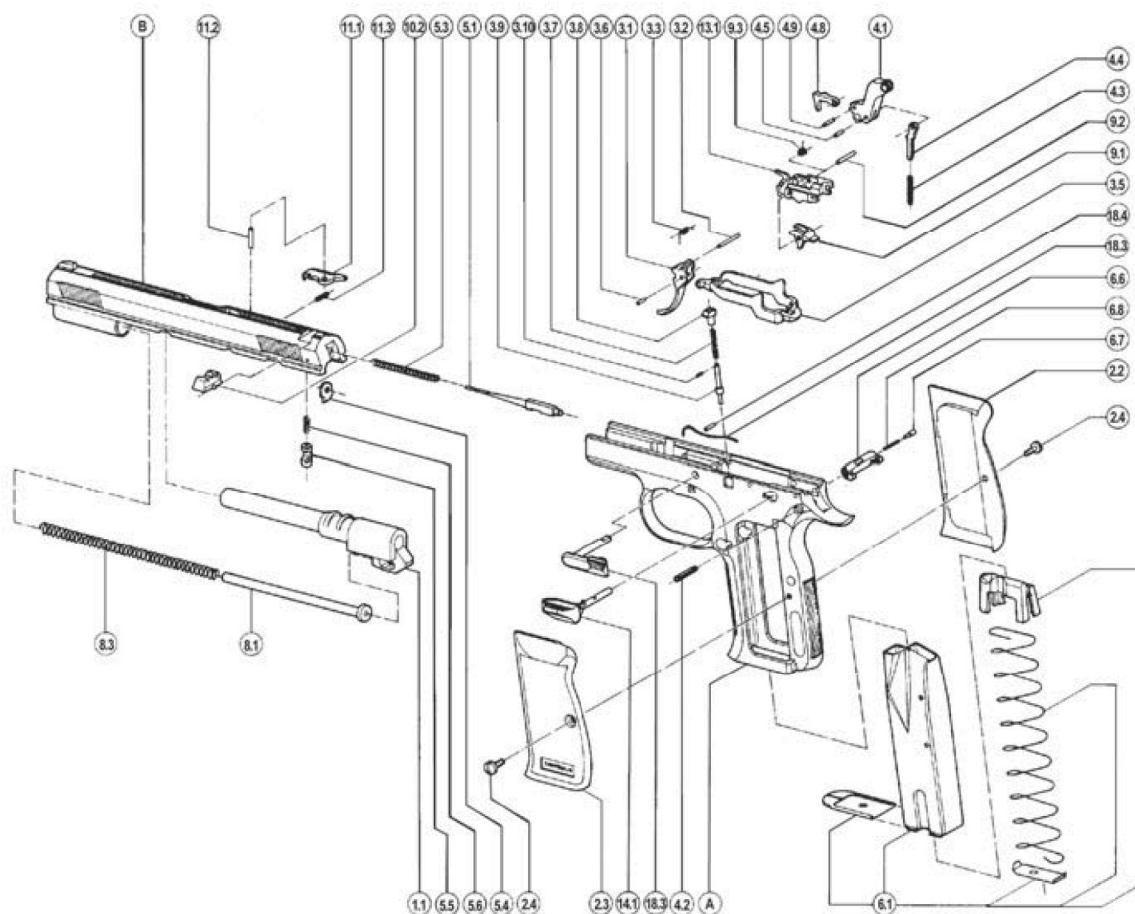


WITNESS PARTS EXPLOSION



WITNESS PARTS LIST

- | | |
|---|--|
| <p>1.1 BARREL</p> <p>2.2 RIGHT GRIP</p> <p>2.3 LEFT GRIP</p> <p>2.4 GRIP SCREWS</p> <p>3.1 TRIGGER</p> <p>3.2 TRIGGER PIN</p> <p>3.3 TRIGGER SPRING</p> <p>3.5 TRIGGER BAR</p> <p>3.6 TRIGGER BAR PIN</p> <p>3.7 TRIGGER BAR SPRING</p> <p>3.8 TRIGGER BAR GUIDE</p> <p>3.9 TRIGGER BAR PLUNGER</p> <p>3.10 TRIGGER BAR PLUNGER PIN</p> <p>4.1 HAMMER</p> <p>4.2 HAMMER PIN</p> <p>4.3 HAMMER SPRING</p> <p>4.4 HAMMER STRUT</p> <p>4.5 HAMMER STRUT PIN</p> <p>4.8 INTERRUPTOR</p> <p>4.9 INTERRUPTOR PIN</p> <p>5.1 FIRING PIN</p> <p>5.3 FIRING PIN SPRING</p> <p>5.4 FIRING PIN RETAINER</p> <p>5.5 FIRING PIN SAFETY</p> <p>5.6 FIRING PIN SAFETY SPRING</p> | <p>6.1 MAGAZINE</p> <p>6.6 MAGAZINE CATCH</p> <p>6.7 MAGAZINE CATCH PLUNGER</p> <p>6.8 MAGAZINE CATCH SPRING</p> <p>8.1 RECOIL SPRING GUIDE</p> <p>8.3 RECOIL SPRING</p> <p>9.1 SEAR</p> <p>9.2 SEAR PIN</p> <p>9.3 SEAR SPRING</p> <p>10.2 REAR SIGHT</p> <p>11.1 EXTRACTOR</p> <p>11.2 EXTRACTOR PIN</p> <p>11.3 EXTRACTOR SPRING</p> <p>13.1 SEAR ASSEMBLY HOUSING
WITH EJECTOR</p> <p>14.1 SAFETY</p> <p>18.1 SLIDE STOP PIN</p> <p>18.3 SLIDE STOP PIN SPRING</p> <p>18.4 SLIDE STOP PIN SPRING PIN</p> <p>A FRAME</p> <p>B SLIDE</p> |
|---|--|