

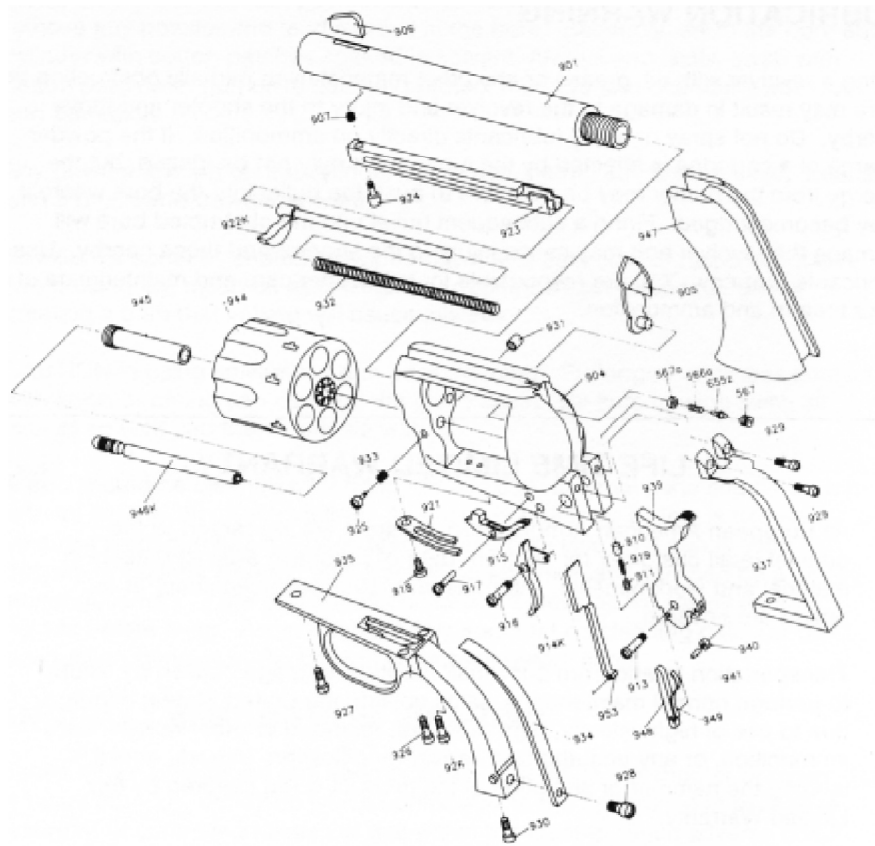
Any implied warranties, including the implied warranties of merchantability and fitness for a particular purpose, are limited to one year from date of original retail purchase. Consequential or incidental damages and/or expenses, or any other expenses are not covered by this warranty.

To obtain warranty performance send your firearm with proof of retail purchase, freight prepaid to:

**European American Armory Corp.**  
**402 Richard Road**  
**Rockledge, Florida 32955**

**NOTICE:** It is illegal to ship a firearm with ammunition in the firearm or in the same packaging. Firearms and ammunition must be shipped separately. For information about shipping ammunition, call European American Armory Corp. at (321) 639-4842.

### BIG BORE BOUNTY HUNTER EXPLODED VIEW





## BIG BORE BOUNTY HUNTER PARTS LIST

- |                                |                                 |
|--------------------------------|---------------------------------|
| 901. Barrel                    | 928. Main Spring Screw          |
| 904. Frame                     | 929. Upper Backstrap Screw      |
| 905. Gate                      | 930. Lower Backstrap Screw      |
| 906. Front Sight               | 931. Base Pin Release Nut       |
| 907. Ejector Tube Spacer       | 932. Ejector Spring             |
| 567A. Recoil Plate             | 933. Base Pin Release Spring    |
| 655Z. Firing Pin               | 934. Mainspring                 |
| 910. Gate Detent               | 935. Trigger Guard              |
| 911. Gate Screw                | 937. Backstrap                  |
| 567. Recoil Cup                | 939. Hammer                     |
| 913. Hammer Screw              | 940. Hammer Roller              |
| 914K. Trigger                  | 941. Hammer Pin                 |
| 915. Bolt & Cylinder Stop      | 944. Cylinder (Specify Caliber) |
| 916. Trigger Screw             | 945. Base Pin Bushing           |
| 917. Bolt Screw                | 946K. Base Pin                  |
| 918. Bolt Screw Spring         | 947. Set Grips                  |
| 919. Gate Spring               | 948. Hand                       |
| 921. Sear & Bolt Spring        | 949. Spring for Hand            |
| 922K. Ejector Rod              | 953. Transfer Bar               |
| 923. Ejector Tube              |                                 |
| 924. Ejector Tube Screw        |                                 |
| 925. Base Pin Release Screw    |                                 |
| 926. Rear Trigger Guard Screw  |                                 |
| 927. Front Trigger Guard Screw |                                 |