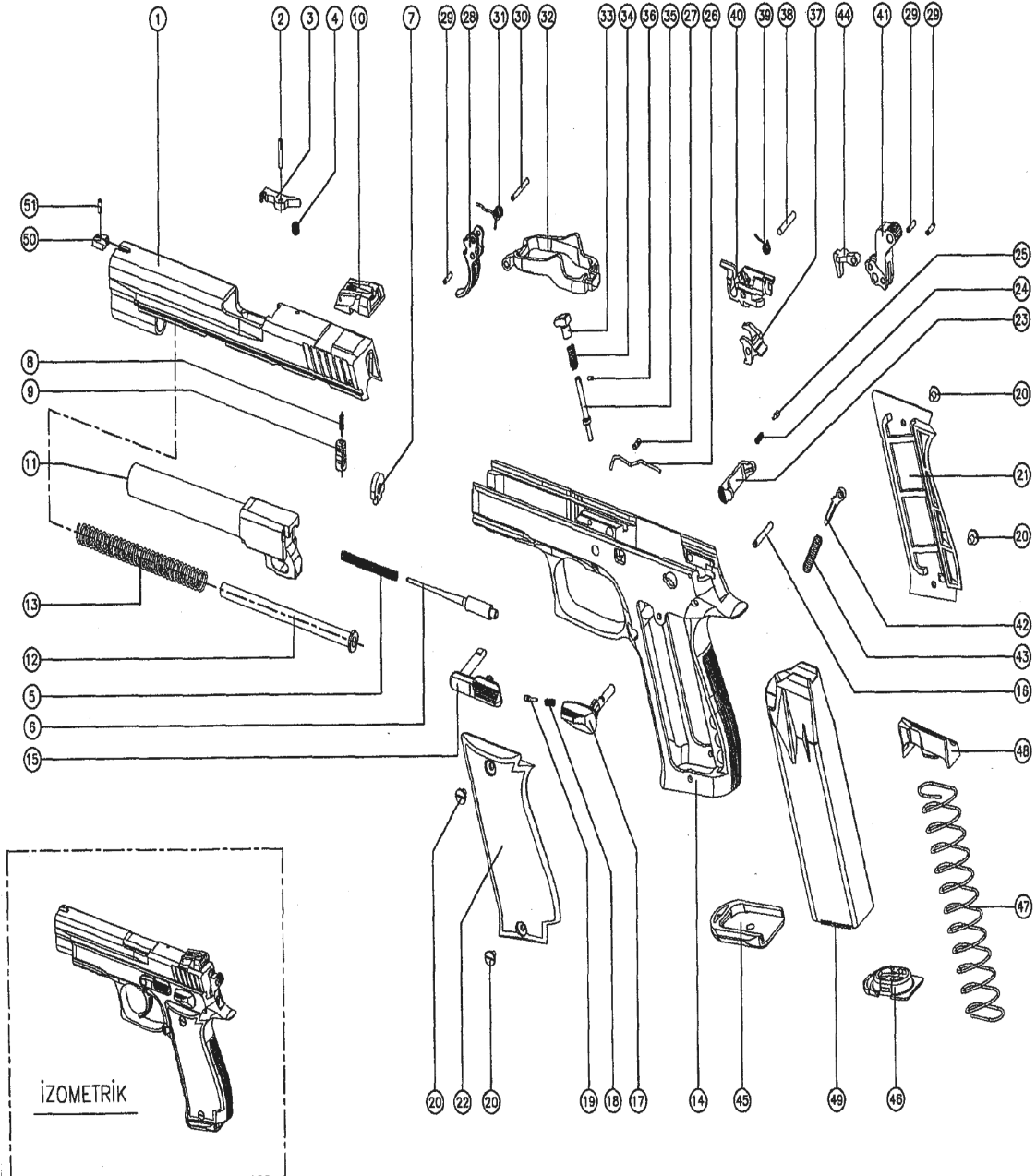


PARTS LIST

K2 SEMIAUTOMATIC PISTOL



SAR K2 PARTS LIST

1	SLIDE
2	EXTRACTOR PIN
3	EXTRACTOR
4	EXTRACTOR SPRING
5	FIRING PIN SPRING
6	FIRING PIN
7	SLIDE COVER PLATE
8	FIRING PIN SAFETY SPRING
9	FIRING PIN SAFETY
10	REAR ADJUSTABLE SIGHT
11	BARREL
12	RECOIL SPRING PIN
13	RECOIL SPRING
14	FRAME
15	SLIDE STOP PIN
16	HAMMER STOP PIN
17	CUSTOM SAFETY LEVER
18	SAFETY SPRING
19	SAFETY PIN
20	GRIP SCREW
21	RIGHT GRIP
22	LEFT GRIP
23	MAGAZINE CATCH
24	MAGAZINE CATCH SRPING
25	MAGAZINE CATCH PIN
26	SLIDE STOP SRPING

27	SPRING STRUT PIN
28	TRIGGER
29	TRIGGER AND HAMMER PIN
30	TRIGGER PIN
31	TRIGGER SRPING
32	TRIGGER BAR
33	TRIGGER BAR GUIDE
34	TRIGGER BAR GUIDE SPRING
35	TRIGGER BAR GUIDE PIVOT
36	TRIGGER BAR GUIDE PIN
37	SEAR LEVER
38	SEAR LEVER PIN
39	SEAR LEVER SPRING
40	SEAR HOUSING
41	HAMMER
42	HAMMER SPRING STRUT
43	HAMMER SPRING
44	INTERRUPTOR
45	MAGAZINE FLOOR PLATE
46	MAGAZINE INSERT
47	MAGAZINE SPRING
48	FOLLOWER
49	MAGAZINE TUBE
50	FRONT SIGHT
51	FRONT SIGHT FIRING PIN