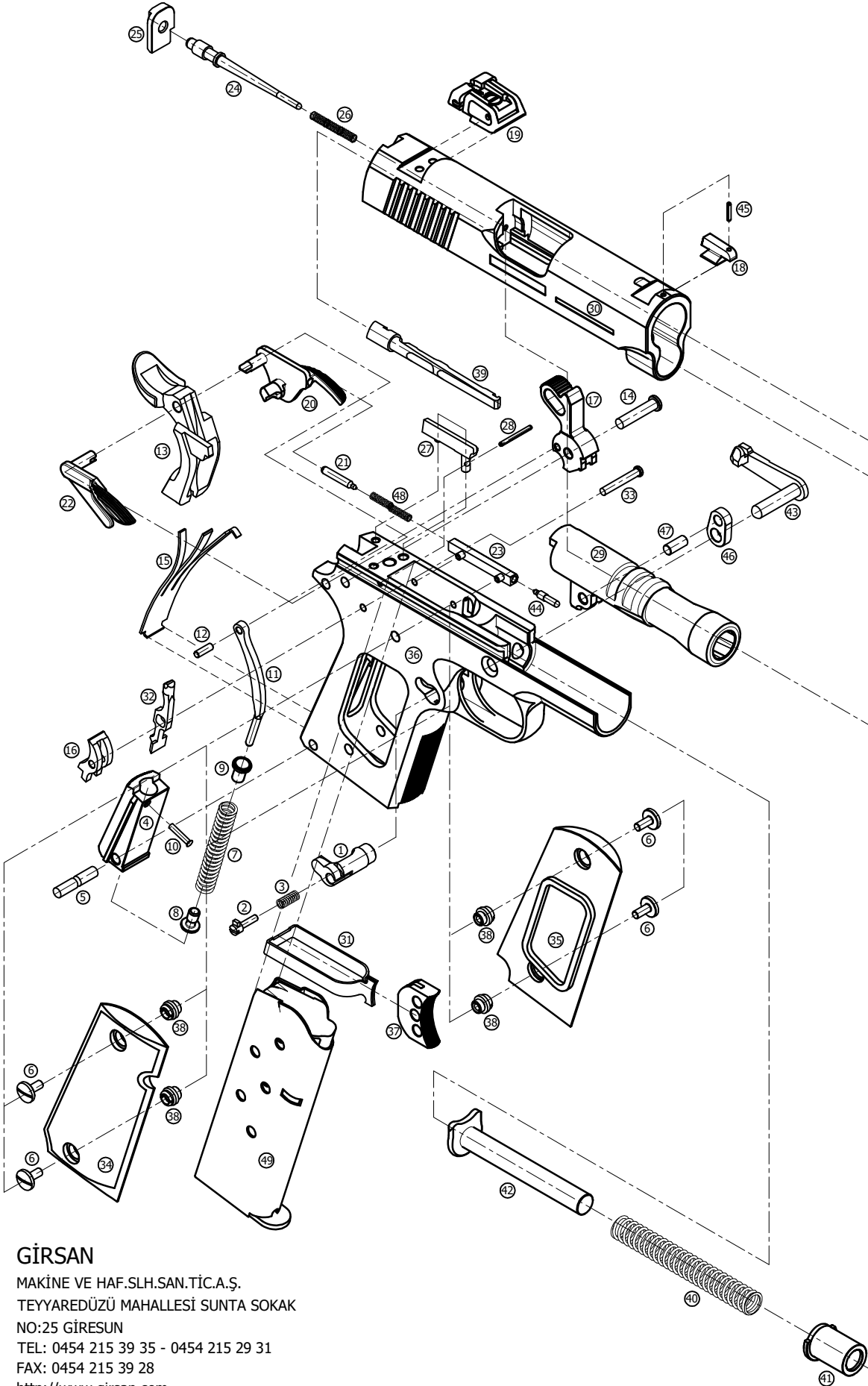


(.45AUTO) MC1911SC EXPLODED DRAWING



- 1) Y1911000100: MAGAZINE RELEASE
- 2) Y1911010100: MAGAZINE CATCH LOCK
- 3) Y1911010300: MAGAZINE RELEASE SPRING
- 4) Y11SC000200: GRIP INSERT
- 5) Y1911020100: GRIP INSERT FIXING PIN
- 6) Y1911000300: GRIP SCREW
- 7) Y11SC000400: HAMMER STRUT SPRING
- 8) Y11SC040100: GRIP INSERT PIN RETAINER
- 9) Y11SC040200: GRIP INSERT CAP
- 10) Y1911040300: GRIP INSERT CAP PIN
- 11) Y1911000500: HAMMER STRUT
- 12) Y1911050400: HAMMER STRUT PIN
- 13) Y1911000600: GRIP SAFETY
- 14) Y1911000700: HAMMER PIN
- 15) Y1911000800: SEAR SPRING
- 16) Y1911001000: SEAR
- 17) Y1911001100: HAMMER
- 18) Y11SC001500: FORE SIGHT
- 19) Y11SC016L00: ADJUSTABLE SIGHT
- 20) Y911S001800: SAFETY LEVER
- 21) Y1911180100: SAFETY LEVER PLUNGER
- 22) Y911S180200: RIGHT SAFETY LEVER
- 23) Y1911019B00: PLUNGER TUBE
- 24) Y1911002100: FIRING PIN
- 25) Y911S210100: FIRING PIN STOP
- 26) Y1911002200: FIRING PIN SPRING
- 27) Y11SC002400: CARTRIDGE LAUNCHER
- 28) Y1911240100: CARTRIDGE LAUNCHER FIXING PIN
- 29) Y11SC003100: BARREL
- 30) Y11SC003200: SLIDE
- 31) Y1911003300: TRIGGER BAR
- 32) Y1911034B00: DISCONNECTOR
- 33) Y1911340100: SEAR PIN
- 34) Y11SC035A00: A RIGHT GRIP PANEL
- 35) Y11SC035B00: B LEFT GRIP PANEL
- 36) Y11SC004000: FRAME
- 37) Y911S004200: TRIGGER
- 38) Y1911004300: GRIP SCREW BUSHINGS
- 39) Y1911004700: EXTRACTOR
- 40) Y11SC005000: RECOIL SPRING
- 41) Y11SC500100: RECOIL SPRING PLUG
- 42) Y11SC005500: RECOIL SPRING GUIDE
- 43) Y911C056B00: SLIDE STOP
- 44) Y1911560100: SLIDE STOP PLUNGER
- 45) Y0001006000: RIGHT SAFETY LEVER PIN
- 46) Y1911006300: BARREL LOCKING BLOCK
- 47) Y1911630100: BARREL LOCKING BLOCK FIXING PIN
- 48) Y1911006600: PLUNGER SPRING
- 49) Y11SC050300: MAGAZINE

GİRSAN

MAKİNE VE HAF.SLH.SAN.TİC.A.Ş.
TEYYAREDÜZÜ MAHALLESİ SUNTA SOKAK
NO:25 GİRESUN
TEL: 0454 215 39 35 - 0454 215 29 31
FAX: 0454 215 39 28
<http://www.girsan.com>
e-posta: girsan@girsan.com