
MP654K

AIR PISTOL INSTRUCTION MANUAL

European American Armory Corp
1426 King Street
Cocoa, FL 32922
(321) 639-4842

This manual was downloaded from www.eaacorp.com
E-mail: eaacorp@eaacorp.com

EAA MODEL: MP654K AIR PISTOL INSTRUCTION MANUAL

WARNING AND INSTRUCTION MANUAL PLEASE READ THESE INSTRUCTIONS

CAUTION: Air Pistols are not toys. This Air Pistol is recommended for adult use. Misuse or careless use may cause serious injury or death. This Air Pistol is dangerous within 500 yards.

Do NOT cock or handle your Air Pistol before you read and understand the instructions and warnings contained in this manual.

FOR YOUR SAFETY AND THE SAFETY OF OTHERS, this owner's manual contains important warnings and safety procedures which must be understood BEFORE using this Air Pistol . Read the entire manual and if you do not understand any part of it or the operation of your Air Pistol , stop and seek professional instructions. You can get a copy of this manual from European American Armory Corp. on request.

Record the serial number of your Air Pistol:

and a description of it:

Make a copy of this manual, proof of purchase/sales record for safekeeping in a secure safe or fireproof container. Such proof is necessary if the Air Pistol is stolen or for warranty repair. Before handling any Air Pistol , make sure you know the safety procedures and most importantly, keep the Air Pistol pointed in a safe direction.

WARNING

****YOU RISK INJURY OR DEATH BY HANDLING THIS AIR PISTOL****

Before handling this Air Pistol , read, understand and follow the instructions in this manual. Always keep this manual with the Air Pistol . If you lend, give or sell this Air Pistol , be sure the manual goes with it. If there is anything you do not understand, seek advice from someone qualified in safe handling of Air Pistols.

WARNING

This Air Pistol should always be transported unloaded in its case.

10 LIFE SAVING WARNINGS:

1. Thinking the air Pistol is unloaded does not mean it is unloaded. If a BB is in the chamber and the Pistol has pressurized CO2 cartridge, this Pistol can be fired. Always treat your air Pistol as if it is loaded.
2. Always point the muzzle of any air Pistol in a safe direction whether the Pistol is loaded or unloaded...
3. No hands over the muzzle / no way / no time / no how.
4. Only use .177/ 4.5mm BBs manufactured to industry standards. If the BB does not feed into the chamber, don't force it - there is a reason - determine the reason before continuing.
5. Never alter your air Pistol or allow anyone not connected with or authorized to represent the manufacturer to modify, change, or adjust any of the working parts of your air Pistol .
6. Learn to regularly clean and inspect your air Pistol .
7. Wear eye protection whenever you shoot your Pistol or when around others using air Pistols. You only get one set of eyes .
8. This air Pistol is extremely powerful and is not designed for the beginner. This class of air Pistol is intended for use by experienced adult shooters.
9. Your air Pistol can not think. You must be alert and thoughtful at all times to insure your safety and the safety of the people and property near you... no drugs...no drinking... no horse play... never shoot a BB at water or a hard surface...

HEALTH WARNING:

This air Pistol fires BBs. Lead and lead compounds are known to the State of California to cause cancer, birth defects and reproductive toxicity. Discharging, handling or cleaning an air Pistol may result in lead exposure. Have adequate ventilation at all times. Do not put BBs in your mouth. Wash hands thoroughly after exposure.

GENERAL INFORMATION:

This is a air Pistol . It is powered by compressed CO2 in the cylinder located in the grip. Avoid leaving the Pistol with compressed CO2 for extended periods.

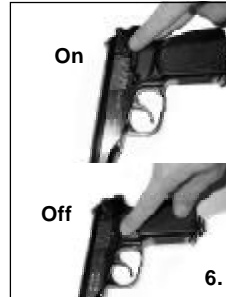
EXTERNAL CONTROL PARTS:

1. The **Trigger** is used for discharging the compressed CO2 so as to expel the BB.
2. The **Barrel** of your air Pistol is made of steel and has groove rifling. Never put the barrel in a position where it could be bent or damaged. A bent barrel will lead to accuracy problems or could even lead to a BB being stuck in the barrel. After shooting, always clean the barrel with a light oil.

3. The **Sights** on your air Pistol are designed for accuracy. The rear sight is drift adjustable.



4. The **Magazine** is located inside the grip and is released with the magazine release, capacity one CO2 cylinder and 13 BBs. (See fig. 4)



5. The **CO2 Cylinder** is located in the magazine and is used to pressurize the pistol.

6. The **Slide Safety** is located on the left hand side of the slide, blocks movement of the firing pin, decocks the pistol if it is cocked, blocks the trigger mechanism, locks the slide and is a rotating lever type. When the safety lever is up or inline with the barrel the safety is activated when it is down the safety is not activated. (See fig. 6)



7. The **BB Loading Pusher** located on the front side of the magazine moves back to load BBs and returns by spring pressure upward. (See fig. 7)



8. The **Magazine Release** located on the bottom of the grip and pushed back will release the magazine. (See fig. 8)



9. The **Slide Stop** is located on the left hand side of the pistol and is used for locking the slide to the rearward position. (See fig. 9)

CHARGING/ PRESSURIZING YOUR AIR PISTOL:

A. Make sure that the air Pistol is pointed in a safe direction and the slide safety is on (firing pin blocked) and your fingers are away from the trigger. Remove the magazine by depressing magazine release and remove the magazine in a downward direction.

B. Warning: Before you perform this step make sure that if there is a CO2 cylinder in the frame that all the pressure has been released, please wear eye protection during this operation. At the bottom of the magazine you will find a sling swivel. Slowly turn the swivel counter clock wise one turn and move the cylinder to make sure there is no pressure in the cylinder. Then continue to turn the sling swivel until the cylinder holding cup is resting against the bottom of the magazine. (See fig. B)

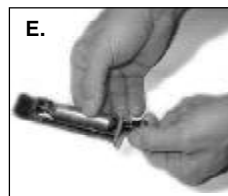


C. If there is a cylinder in the magazine remove it. Now visually inspect the o-ring that is in the gas chamber which is at the top of the magazine, make sure the o-ring is not deformed (if it is replace it).



D. Take a new cylinder and inset the neck into the gas chamber and align the round base with the cylinder holding cup. (See fig. D)

E. While holding the cylinder in the gas chamber and in line with the cylinder holding cup screw the sling swivel clockwise until the metal tube inside the gas chamber has punctured the CO2 cylinder. Be careful during this step because pressure will leak out when the metal tube breaks the seal on the cylinder surface. **We suggest you wear eye protection during this operation.** Tighten the swivel briskly until you no longer hear the gas escaping from the gas chamber seal. (See fig. E)



F. Re-insert the magazine to pressurize the pistol

LOADING YOUR AIR PISTOL / RIFLE:

A) Make sure that the air Pistol is pointed in a safe direction and the slide safety is on (firing pin blocked) and your hand and fingers are away from the trigger.

B) Remove the magazine if it is not already removed

C) Move the BB loading pusher to the bottom of the magazine. Hold the pusher down and load up to 13 BBs in the magazine via the round hole on the front side of the top of the magazine and then release the pusher. (See fig. C)



D) Reinsert the magazine until the magazine release locks in place the magazine.

FIRING THE AIR PISTOL / RIFLE:

After completing the above loading step make sure that the Pistol is pointed at what you intend to shoot then disengage the slide safety and slowly pull the trigger to the rear. The Pistol will discharge and the BB will be expelled from the barrel. If you wish to fire another BB pull the trigger again until all the BBs have been used up.



UNLOADING YOUR AIR PISTOL:

IF YOU HAVE LOADED YOUR AIR PISTOL and you wish to unload the pistol. First engage the slide safety, make sure the pistol is pointed in a safe direction and then remove the magazine. Slide the BB Pusher down and turn the magazine up side down and shake all the BBs out of the magazine. Make sure that all BBs have been removed from the magazine and do not reinstall the magazine until you are ready to reload and fire BBs .

Caution: Unless absolutely necessary do not shoot a air Pistol without a BB! Never fire damaged or used BBs.

Caution: Use only factory new air Pistol BBs. Use only the correct size BBs (.177 / 4.5mm caliber). Do not use steel shot or darts which may damage the Pistol bore and which cause greater re-bounce and ricochet.

Note: It is a violation of federal law to ship a loaded weapon.

-- WARNINGS --

READING THESE SAFETY RULES WILL SAVE YOUR LIFE OR THE LIFE OF SOMEONE ELSE

Learn how to handle, load, unload, operate, fire and care for your air Pistol .

NEVER PLAY with your air Pistol. It is a potentially dangerous weapon that can cause serious personal injury or death.

Always keep the air Pistol pointed in a safe direction. NEVER point any weapon (loaded or unloaded) at any person or anything you do not intend to shoot. Always keep your air Pistol unloaded until ready to fire and make sure that it is unloaded before cleaning.

Keep your finger OFF the trigger until you are actually aiming at the target and ready to shoot.

Never rely on a air Pistol's "safety" to protect you from unsafe handling. A safety is only a mechanical device, not a substitute for common sense and good safety procedures.

Never leave a air Pistol unattended or where it could fall and fire.

If an air Pistol is hit sharply or dropped, damage to the internal precision mechanism may result and consequently an accidental firing.

Store air Pistols and BBs separately **beyond the reach of children**. Make sure the air Pistol and BBs are properly locked and secured so children and untrained individuals will be denied access.

Test your air Pistol 's operation ONLY at a shooting location while the Pistol barrel is pointed in a safe direction.

Know your target and what is beyond. Ask yourself what your BB will hit if it misses the target or passes through the intended target. Remember, a fired BB can travel over 400 yards (including a ricochet).

Never pull an air Pistol toward you by the muzzle. Don't climb a tree, cross a ditch or fence with a loaded air Pistol .

Do NOT leave your air Pistol PRESSURIZED for long periods of time or store pressurized.

Always empty air Pistols before entering a house, car, truck, boat, RV, camp or any building.

When receiving a air Pistol, always open the action and make sure it is unloaded. NEVER accept anyone's word that an air Pistol is "unloaded" or "empty". You should also inspect it by passing a cleaning rod through the bore to make sure it is clear.

Avoid exposure to lead by firing where there is adequate ventilation. After cleaning your air Pistol and/or handling BBs, wash your hands.

Keep air Pistols unloaded when not actually in use. Load the air Pistol only when preparing to fire.

Never fire a BB to clear a barrel.

ALWAYS WEAR protective shooting glasses when firing air Pistols.

Never drop your air Pistol. If you do drop it, unload it and check it for proper function before using it again.

Don't alter or modify your air Pistol .

Do not remove any internal safety or safety device on the air Pistol. Safety mechanisms are designed to protect you from injury or death.

Do maintain and keep your air Pistol clean. Keep in a dry place away from other metals and water. If your air Pistol shows sign of corrosion or improper operation, have it serviced by a competent gunsmith.

Keep the muzzle pointed in a safe direction when loading and unloading your air Pistol. Never point the muzzle at any person or any animal.

Never shoot at hard flat surfaces or water....bullets ricochet.

Never let water, snow, mud or other material enter the barrel. Keep the barrel free of any obstruction.

Use only the correct size BBs for your air Pistol . Do NOT use steel shot or darts.

Teach children NOT to touch an air Pistol or BBs.

Remember an air Pistol has the capability of taking your life or the life of someone else. Be careful with your air Pistol - an accident is almost always the result of not following basic safety rules.

WRITE US concerning any items or circumstances which you don't understand and which might relate to your safety and the operation of your air Pistol.

CARE AND CLEANING:

Caution: Make sure the air Pistol is unloaded before cleaning (follow unloading instructions to insure air Pistol is not loaded)

Caution: In lubricating the pistol mechanism, use only a special lubricant with a high flash point designed specifically for use inside of an air compression chamber.

(A) Put a few drops of special light oil on the slide and safety. Do not over oil (no more than 3 or 4 drops on each lubrication). The air Pistol chamber should be oiled every 500 Pellets or BBs.

Caution: It is better to under lubricate than to over lubricate. Over lubrication will void your warranty. Do not use firearm cleaners or low flash point oils in the air compression chamber and near the vent and breech seal as this will cause dieseling and damage the seal.

Caution: Only a competent gun smith should disassemble the Pistol for further cleaning or maintenance.

LIMITED REPAIR WARRANTY

European American Armory Corp. air Pistols are warranted to the original retail customer for 90 days from date of purchase against factory defects in metal parts. All metal parts and labor or replacement **at our option** are covered. Seals are warranted to the original retail customer for a period of 30 days from the verified purchase date against defects. Parts and labor to repair seals will be provided for 30 days from the verified purchase date.

Evidence of proof of purchase is necessary for all warranty repair service. Transportation to and from our repair facilities, governmental fees, damage caused by failure to perform normal maintenance, sales outside the United States, damage due to non factory BBs, steel shot or darts, or any unauthorized repair, modification, misuse, abuse, or alteration of the product is not covered by this Limited Repair Warranty.

Any implied warranties, including the implied warranties of merchantability and fitness for a particular purpose, are limited to 90 Days from date of original retail purchase. Consequential or incidental damages and/or expenses, or any other expenses are not covered by this warranty.

To obtain warranty performance send your product with proof of retail purchase, freight prepaid to:

European American Armory
1426 King Street
Cocoa, FL 32922

WARNING

Altering or modifying parts is dangerous and will void the warranty. This air Pistol was manufactured to perform properly with the original parts as designed. It is your duty to make sure any parts you buy are made for this air Pistol and are installed correctly and that neither the replacements nor originals are altered or changed. Your air Pistol is a complex precision tool with many parts that must relate correctly to other parts in order for proper and safe operation. Putting an air Pistol together wrong or with incorrect or modified parts can result in a damaged air Pistol, serious injury or death to you and others through malfunction. Always have a qualified gunsmith work on your air Pistol or at least check any work not performed by a gunsmith.

ALL PARTS ORDERS ARE SUBJECT TO A \$10.00 CHARGE FOR SHIPPING AND HANDLING. For parts and service contact: European American Armory Corp., 1426 King Street, Cocoa, FL 32922 Phone: (321) 639-4842.

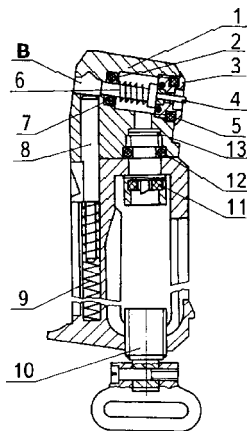
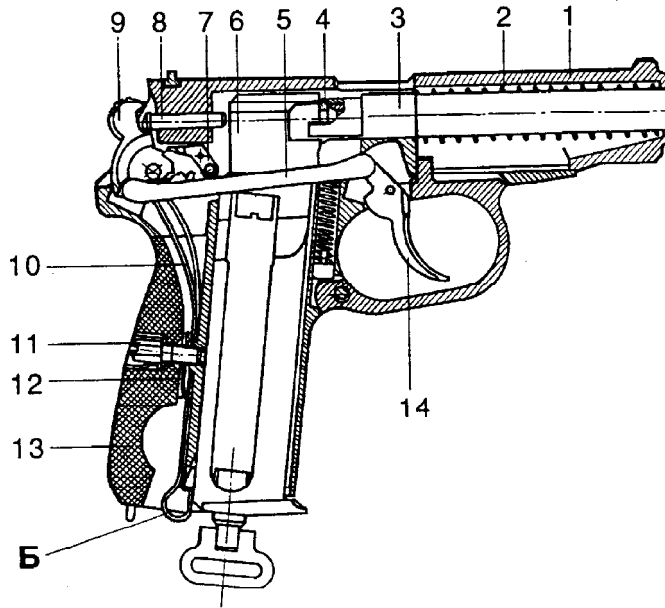
STATEMENT OF NON-LIABILITY

Air Pistols are not classified as firearms by the U.S. Gun Control Act of 1968. Air Pistols are not generally considered to be weapons; however, they can cause serious injury, death and property damage. Thus, they should be handled with great care. Safety is your responsibility. Neither the manufacturer, nor European American Armory Corporation, assume any responsibility for personal injury, death or property damage resulting from either intentional or accidental discharge or for the function of any air rifle subjected to influences beyond our control.

KEEP THIS BOOKLET AND PROOF OF PURCHASE IN A SECURE LOCATION.

**IZH-654K:
Arrangement of
Pistol Mechanisms**

1. slide
2. recoil spring
3. frame w/barrel
4. barrel gasket
5. slide bar w/
cocking lever
6. feeding system
7. sear
8. firing pin
9. hammer
10. mainspring
11. grip screw
12. bolt
13. grip
14. trigger



IZH-654K: Valve System

1. valve body
2. washer
3. valve seat
4. valve
5. locking component
6. valve spring
7. valve o-ring
8. follower
9. follow spring
10. clamping screw
11. sealing component
12. o-ring
13. filter

SPECIFICATIONS:

CALIBER177 / 4.5mm BBs
 BARREL LENGTH 3.75"
 OVERALL LENGTH 6.34"
 WEIGHT 1.60 LBS
 VELOCITY AT MUZZLE: 377 FT / SECOND