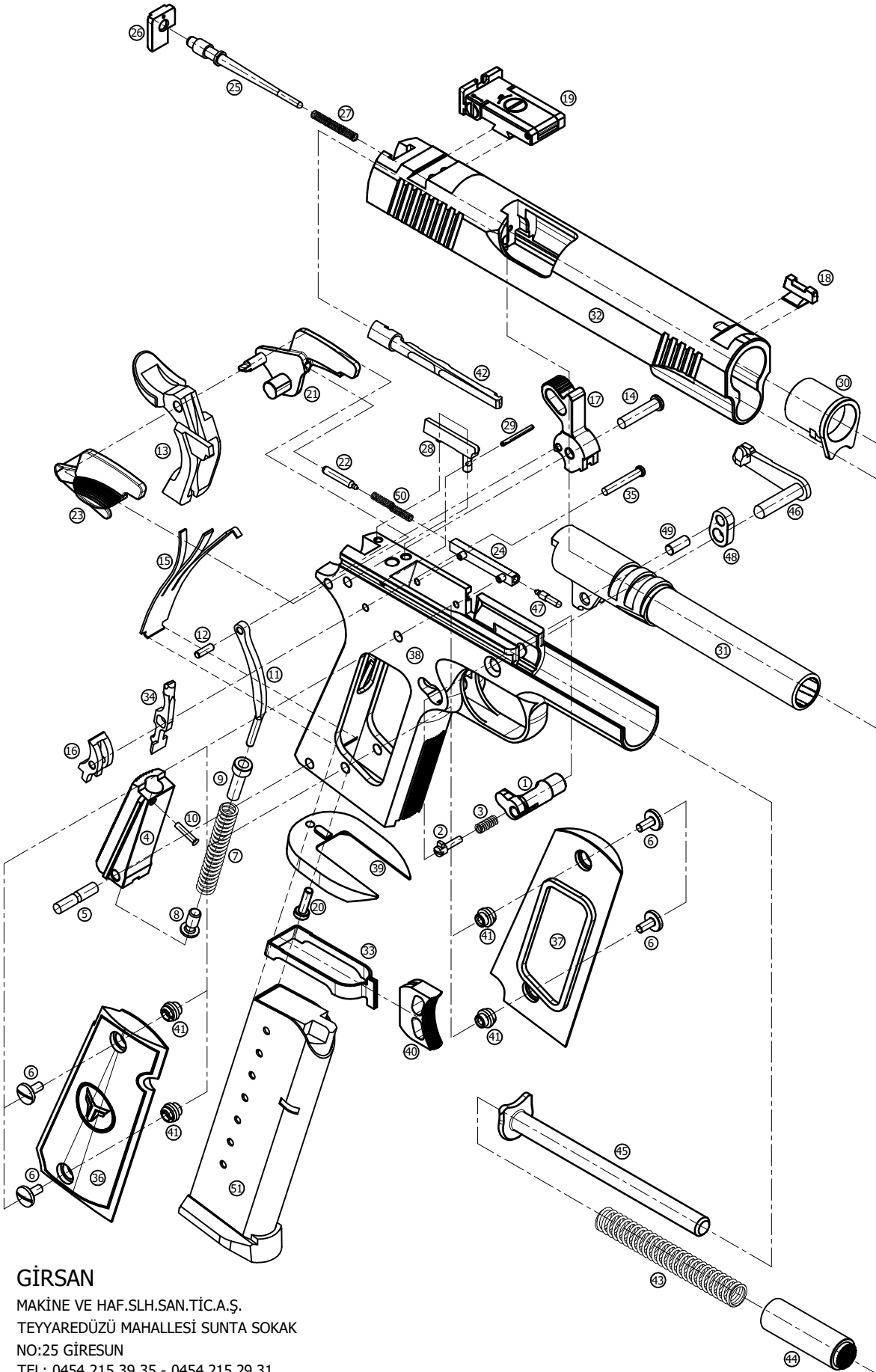


(9 mm) MC1911 S NOEL EXPLODED DRAWING



- 1) Y911N000100: MAGAZINE RELEASE
- 2) Y1911010100: MAGAZINE CATCH LOCK
- 3) Y1911010300: MAGAZINE RELEASE SPRING
- 4) Y911E000200: GRIP INSERT
- 5) Y1911020100: GRIP INSERT FIXING PIN
- 6) Y1911000300: GRIP SCREW
- 7) Y1911000400: HAMMER STRUT SPRING
- 8) Y1911040100: GRIP INSERT PIN RETAINER
- 9) Y1911040200: GRIP INSERT CAP
- 10) Y1911040300: GRIP INSERT CAP PIN
- 11) Y1911000500: HAMMER STRUT
- 12) Y1911050400: HAMMER STRUT PIN
- 13) Y1911000600: GRIP SAFETY
- 14) Y1911000700: HAMMER PIN
- 15) Y1911000800: SEAR SPRING
- 16) Y1911001000: SEAR
- 17) Y1911001100: HAMMER
- 18) Y911N001500: FIBEROPTIC FRONT SIGHT
- 19) Y1911016L00: ADJUSTABLE SIGHT
- 20) Y028T170200: RED-DOT SCREW
- 21) Y1911N001800: SAFETY LEVER
- 22) Y1911180100: SAFETY LEVER PLUNGER
- 23) Y911N180200: RIGHT SAFETY LEVER
- 24) Y1911019B00: PLUNGER TUBE
- 25) Y11C9002100: FIRING PIN
- 26) Y911N210100: FIRING PIN STOP
- 27) Y1911002200: FIRING PIN SPRING
- 28) Y11C9002400: CARTRIDGE LAUNCHER
- 29) Y1911240100: CARTRIDGE LAUNCHER FIXING PIN
- 30) Y1911002500: BARREL BUSHING
- 31) Y911N003100: BARREL
- 32) Y911N003200: SLIDE
- 33) Y1911003300: TRIGGER BAR
- 34) Y1911034B00: DISCONNECTOR
- 35) Y1911340100: SEAR PIN
- 36) Y191135AY00: A RIGHT GRIP PANEL
- 37) Y191135BY00: B LEFT GRIP PANEL
- 38) Y911N004000: FRAME
- 39) Y911E400100: MAGWELL
- 40) Y1911004200: TRIGGER
- 41) Y1911004300: GRIP SCREW BUSHINGS
- 42) Y911N004700: EXTRACTOR
- 43) Y1911005000: RECOIL SPRING
- 44) Y911N500100: RECOIL SPRING PLUG
- 45) Y911N005500: RECOIL SPRING GUIDE
- 46) Y11C9005600: SLIDE STOP
- 47) Y1911560100: SLIDE STOP PLUNGER
- 48) Y1911006300: BARREL LOCKING BLOCK
- 49) Y1911630100: BARREL LOCKING BLOCK FIXING PIN
- 50) Y1911006600: PLUNGER SPRING
- 51) Y1911050300: MAGAZINE

GİRSAN

MAKİNE VE HAF.SLH.SAN.TİC.A.Ş.
 TEYYAREDÜZÜ MAHALLESİ SUNTA SOKAK
 NO:25 GİRESUN
 TEL: 0454 215 39 35 - 0454 215 29 31
 FAX: 0454 215 39 28
<http://www.girsan.com>
 e-posta: girsan@girsan.com