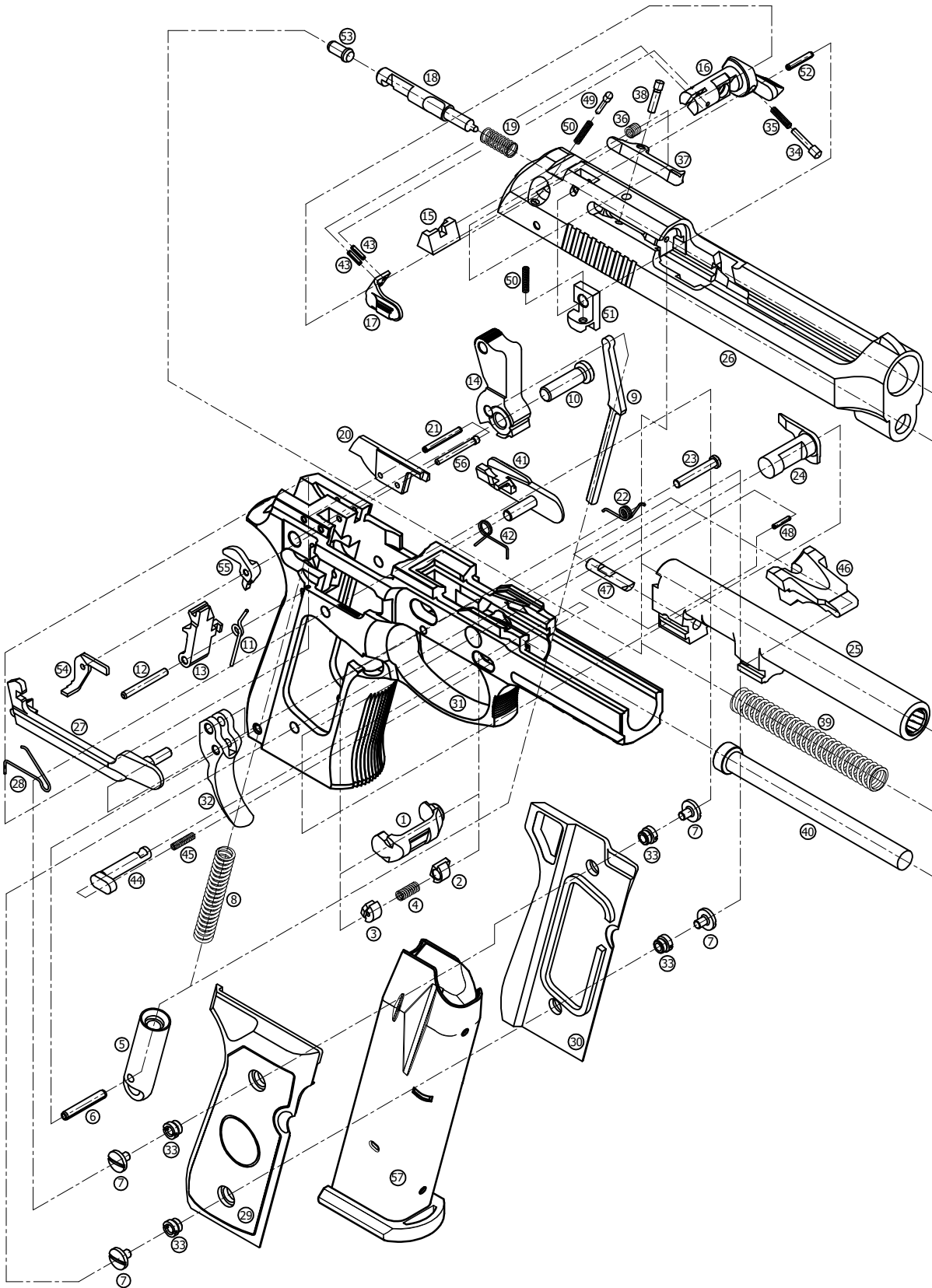


(9x19 mm) YAVUZ16 REGARD M.C. EXPLODED DRAWING



- 1) Y0001000100: MAGAZINE RELEASE
- 2) Y0001010100: MAGAZINE RELEASE SPRING SOCKET
- 3) Y0001010200: MAGAZINE RELEASE EXTRACTOR
- 4) Y0001010300: MAGAZINE RELEASE SPRING
- 5) Y0001000200: GRIP INSERT
- 6) Y0001020100: GRIP INSERT FIXING PIN
- 7) Y0001000300: GRIP SCREW
- 8) Y0001000400: HAMMER STRUT SPRING
- 9) Y0001000500: HAMMER STRUT
- 10) Y0001000700: HAMMER PIN
- 11) Y0001000800: HAMMER CATCH SPRING
- 12) Y0001000900: HAMMER CATCH PIN
- 13) Y0001001000: SEAR
- 14) Y0001001100: HAMMER
- 15) Y0001001600: REAR SIGHT
- 16) Y0001001800: SAFETY LEVER
- 17) Y0001180100: RIGHT SAFETY LEVER
- 18) Y0001002100: FIRING PIN
- 19) Y0001002200: FIRING PIN SPRING
- 20) Y0001002400: CARTRIDGE LAUNCHER
- 21) Y0001240100: CARTRIDGE LAUNCHER FIXING PIN
- 22) Y0001002700: TRIGGER SPRING
- 23) Y0001270100: TRIGGER PIN
- 24) Y0001002800: DISASSEMBLY LATCH RELEASE BUTTON
- 25) Y0001003100: BARREL
- 26) Y0001003200: SLIDE
- 27) Y0001003300: TRIGGER BAR
- 28) Y0001330100: TRIGGER BAR SPRING
- 29) Y0001035A00: A RIGHT GRIP PANEL
- 30) Y0001035B00: B LEFT GRIP PANEL
- 31) Y0003040B00: FRAME
- 32) Y0001004200: TRIGGER
- 33) Y0001004300: GRIP SCREW BUSHINGS
- 34) Y0001004400: SAFETY LEVER PIN
- 35) Y0001440100: SAFETY LEVER PIN SPRING
- 36) Y0001450100: EXTRACTOR SPRING
- 37) Y0001004700: EXTRACTOR
- 38) Y0001470100: EXTRACTOR PIN
- 39) Y0001005000: RECOIL SPRING
- 40) Y0001005500: RECOIL SPRING GUIDE
- 41) Y0001005600: SLIDE CATCH
- 42) Y0001005700: SLIDE CATCH SPRING
- 43) Y0001006000: RIGHT SAFETY LEVER PIN
- 44) Y0001006200: DISASSEMBLY LATCH RELEASE BUTTON FIXING PIN
- 45) Y0001620100: DISASSEMBLY LATCH RELEASE BUTTON FIXING PIN SPRING
- 46) Y0001006300: BARREL LOCKING BLOCK
- 47) Y0001006400: BARREL LOCKING BLOCK PIN
- 48) Y0001006500: LOCKING BLOCK SPRING PIN
- 49) Y0001006600: TRIGGER BAR LOCKING PIN
- 50) Y0001660100: HELIX SPRING
- 51) Y0001006700: PIN SAFETY BLOCK
- 52) Y0001670200: PIN SAFETY BLOCK FIXING PIN
- 53) Y0001006800: FIRING PIN SAFETY PIN
- 54) Y0001006900: PIN SAFETY BLOCK LEVER
- 55) Y0001007000: HAMMER RELEASE LEVER
- 56) Y0001007100: HAMMER RELEASE LEVER PIN
- 57) Y0001050300: MAGAZINE

GİRSAN

MAKİNE VE HAF.SLH.SAN.TİC.A.Ş.
 TEYAREDÜZÜ MAHALLESİ SUNTA SOKAK
 NO:25 GİRESUN
 TEL: 0454 215 39 35 - 0454 215 29 31
 FAX: 0454 215 39 28
<http://www.girsan.com>
 e-posta: girsan@girsan.com