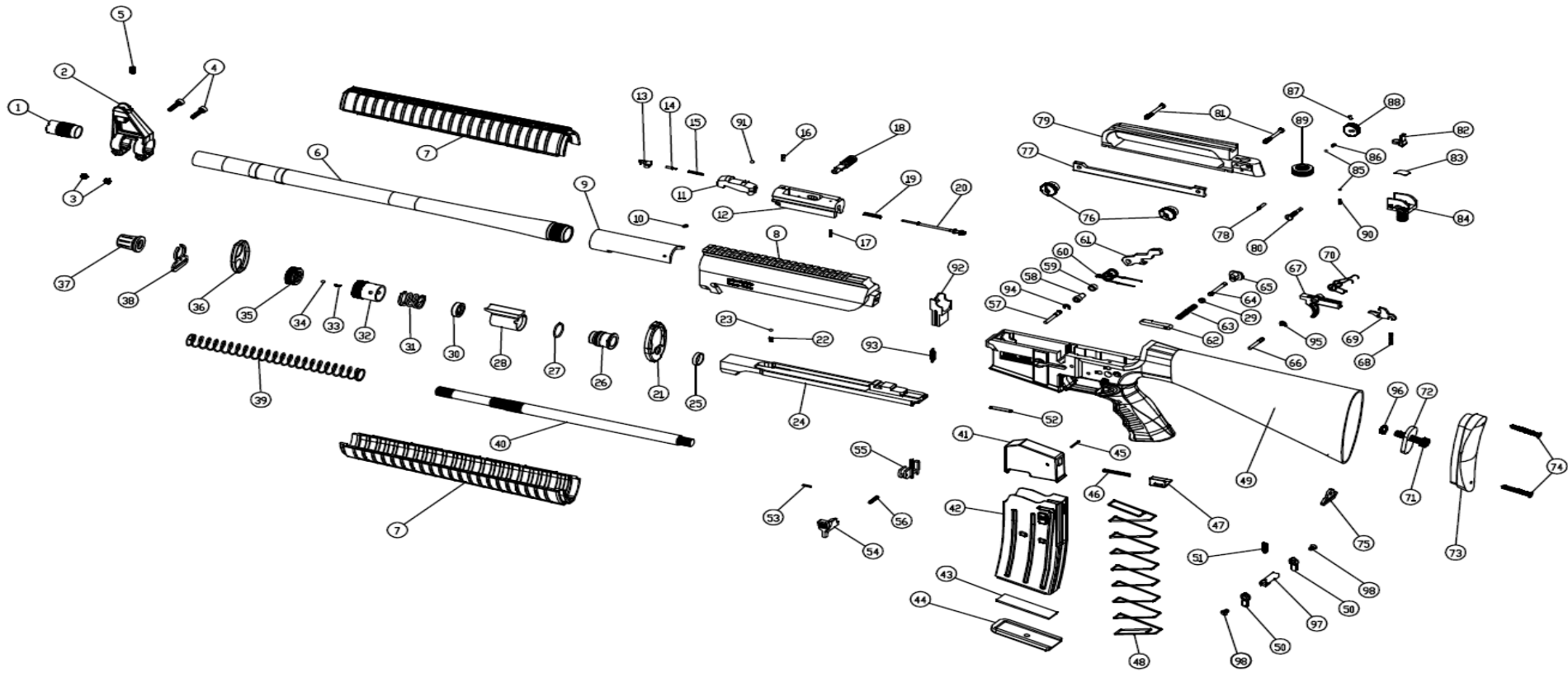


# "MKA 1919" 12ga Semi Auto Shotgun



NO	CODE	ITEM	NO	CODE	ITEM	NO	CODE	ITEM	NO	CODE	ITEM		
1	4001001	CHOKE	21	4001021	HANDGUARDS REAR COVER	41	4001041	FOLLOWER	61	4001061	HAMMER		
2	4001002	FRONT SIGHT	22	4001022	CHARGING HANDLE TAW SPRING	42	4001042	MAGAZINE	62	4001062	MAGAZINE CATCH		
3	4001003	FRONT SIGHT NUT	23	4001023	CHARGING HANDLE TAW	43	4001043	MAGAZINE SPRING BASE PLATE	63	4001063	MAGAZINE CATCH SPRING		
4	4001004	FRONT SIGHT SCREW	24	4001024	BOLT CARRIER	44	4001044	MAGAZINE BASE COVER	64	4001064	MAGAZINE CATCH SCREW		
5	4001005	FRONT SIGHT SCREW	25	4001025	O RING	45	4001045	FOLLOWER LATCH PIN	65	4001065	MAGAZINE CATCH NUT		
6	4001006	BARREL	26	4001026	GAS PISTON	46	4001046	FOLLOWER LATCH SPRING	66	4001066	TRIGGER MOUNTING PIN		
7	4001007	HANDGUARDS	27	4001027	GAS PISTON RING	47	4001047	FOLLOWER LATCH	67	4001067	TRIGGER		
8	4001008	UPPER RECEIVER	28	4001028	BARREL LUG	48	4001048	MAGAZINE SPRING	68	4001068	TRIGER INSERT SPRING		
9	4001009	BARREL EXTENSION	29	4001029	MAGAZINE CATCH NUT	49	4001049	LOWER RECEIVER	69	4001069	TRIGGER BAR		
10	4001010	EXTRACTOR PIN	30	4001030	GAS REGULATOR RING	50	4001050	SAFETY LEVER	70	4001070	TRIGGER SPRING		
11	4001011	LOCKING BLOCK	31	4001031	GAS ADJUSTMENT SPRING	51	4001051	SAFETY LEVER SCREW	71	4001071	UPPER RECEIVER FIXING SCREW		
12	4001012	BOLT	32	4001032	GAS REGULATOR NUT	52	4001052	PLATE	72	4001072	UPPER RECEIVER FIXING SCREW WASHER		
13	4001013	EXTRACTOR	33	4001033	GAS REGULATOR SPRING	53	4001053	BOLT CATCH PIN	73	4001073	RECOIL PAD		
14	4001014	EXTRACTOR MOUNTING PIVOT PIN	34	4001034	GAS REGULATOR TAW	54	4001054	BOLT CATCH HOUSING	74	4001074	RECOIL PAD SCREW		
15	4001015	EXTRACTOR SPRING	35	4001035	GAS REGULATOR CONTRA NUT	55	4001055	BOLT CATCH HOUSING	75	4001075	REAR SLING RING		
16	4001016	EXTRACTOR MOUNTING PIN	36	4001036	HANDGUARDS FRONT COVER	56	4001056	BOLT CATCH SPRING	76	4001076	CARRYING HANDLE SCREW CAP		
17	4001017	CAM	37	4001037	HANDGUARDS CAP	57	4001057	HAMMER MOUNTING PIN	77	4001077	CARRYING HANDLE FASTENER		
18	4001018	CHARGING HANDLE	38	4001038	FRONT SLING RING	58	4001058	HAMMER HOUSING MALE	78	4001078	REAR SIGHT VERTICAL ADJUSTMENT PIN		
19	4001019	FIRING PIN SPRING	39	4001039	RECOIL SPRING	59	4001059	HAMMER HOUSING FEMALE	79	4001079	CARRYING HANDLE		
20	4001020	FIRING PIN	40	4001040	OP-ROD	60	4001060	HAMMER SPRING	80	4001080	WINDAGE ADJUSTMENT SCREW		
											81	4001081	CARRYING HANDLE SCREW
											82	4001082	REAR SIGHT
											83	4001083	REAR SIGHT SPRING
											84	4001084	REAR SIGHT HOLDER
											85	4001085	REAR SIGHT ALINGMENT TAW
											86	4001086	REAR SIGHT ALINGMENT SPRING
											87	4001087	WINDAGE ADJUSTMENT STAY BOLT
											88	4001088	WINDAGE ADJUSTMENT NUT
											89	4001089	REAR SIGHT VERTICAL ADJUSTMENT NUT
											90	4001090	REAR SIGHT ALINGMENT SPRING
											91	4001091	LOCKING BLOCK BALL
											92	4001092	FEED RAMP
											93	4001093	FEED RAMP SPRING
											94	4001094	HAMMER PIN RING
											95	4001095	TRIGGER PIN RING
											96	4001096	SERRATED WASHER
											97	4001097	SAFETY
											98	4001098	SAFETY CATCH SCREW